

EE/CprE/SE 491 WEEKLY REPORT 10

Nov 15th, 2024 – Nov 21st 2024

Group number: 25-34

Project title: Laser Scan Readings for Propeller Measurement

Client &/Advisor: Linden Propeller (Gary Linden) / Dr. Mani Mina

## Team Members/Role

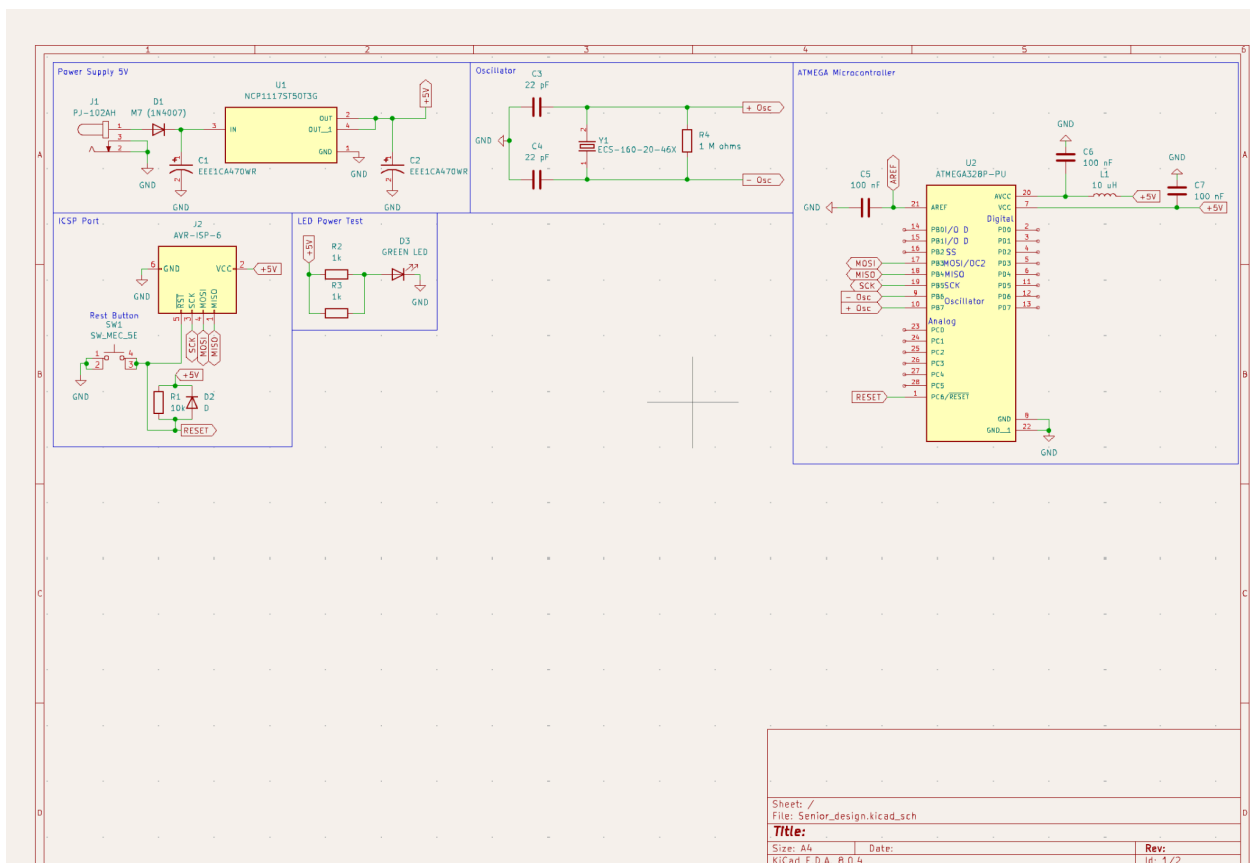
<b>Name:</b>	<b>Role:</b>
Alan Whitehead	Testing
Elias Colsch	Client interaction
Denny Dang	Individual Component Design

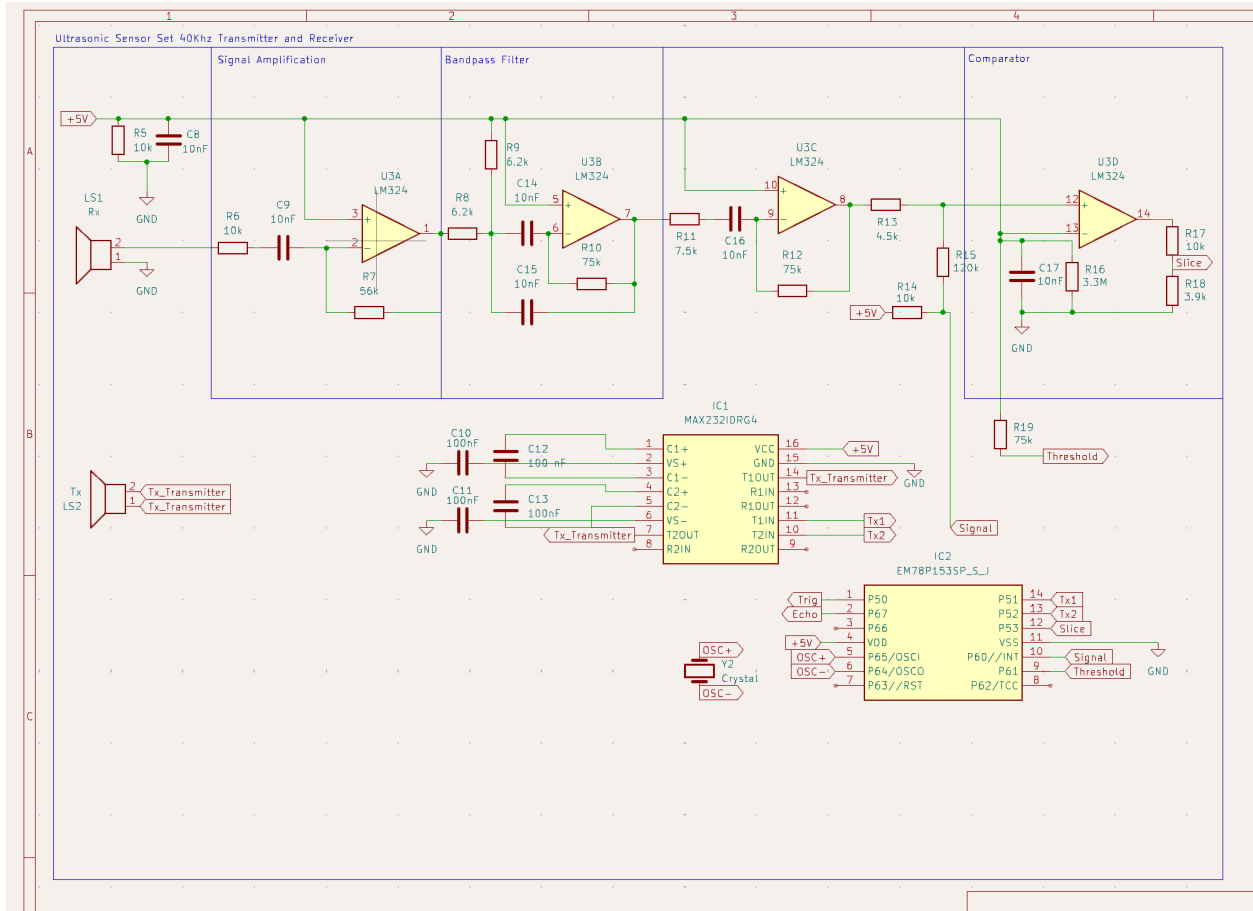
## Past Week Accomplishments

<b>Name</b>	<b>Past Contributions</b>
Alan Whitehead	I will work on finishing up the ultrasonic prototype and make a document. Basically telling him why this would be his best option. The advantages and disadvantages and potential vendors.
Elias Colsch	Worked on the IR sensor prototype and worked with Mr. Linden to set up a meeting. Also started editing our website.
Denny Dang	Continued work on IR sensor prototype. Mainly worked on code integration.

## Weekly Summary:

This week we were focused on our design implementation. Alan got our ultrasonic sensor design nearly finalized and created a schematic for the design. Shown below is the design for our ultrasonic sensor setup. A similar design will be developed for the IR sensors, but we have not created it yet.





Name	Individual Contributions	Hours this week	HOURS Cumulative
Alan Whitehead	Created a schematic for our ultrasonic sensor setup while continuing data fusion development. Also shared code for basic setup.	7	55
Elias Colsch	Set up our IR sensors and received code to start working with them.	6	54
Denny Dang	Helped between ultrasonic and IR sensor prototypes.	6	53.5

## Plans for the upcoming week

Name	Future Contributions
------	----------------------

Alan Whitehead	Will continue to work on data fusion implementation.
Elias Colsch	Will continue working with IR sensors, working to get them running, and then working with Alan on data fusion.
Denny Dang	Will continue to improve data processing and measurements to get more accurate readings.